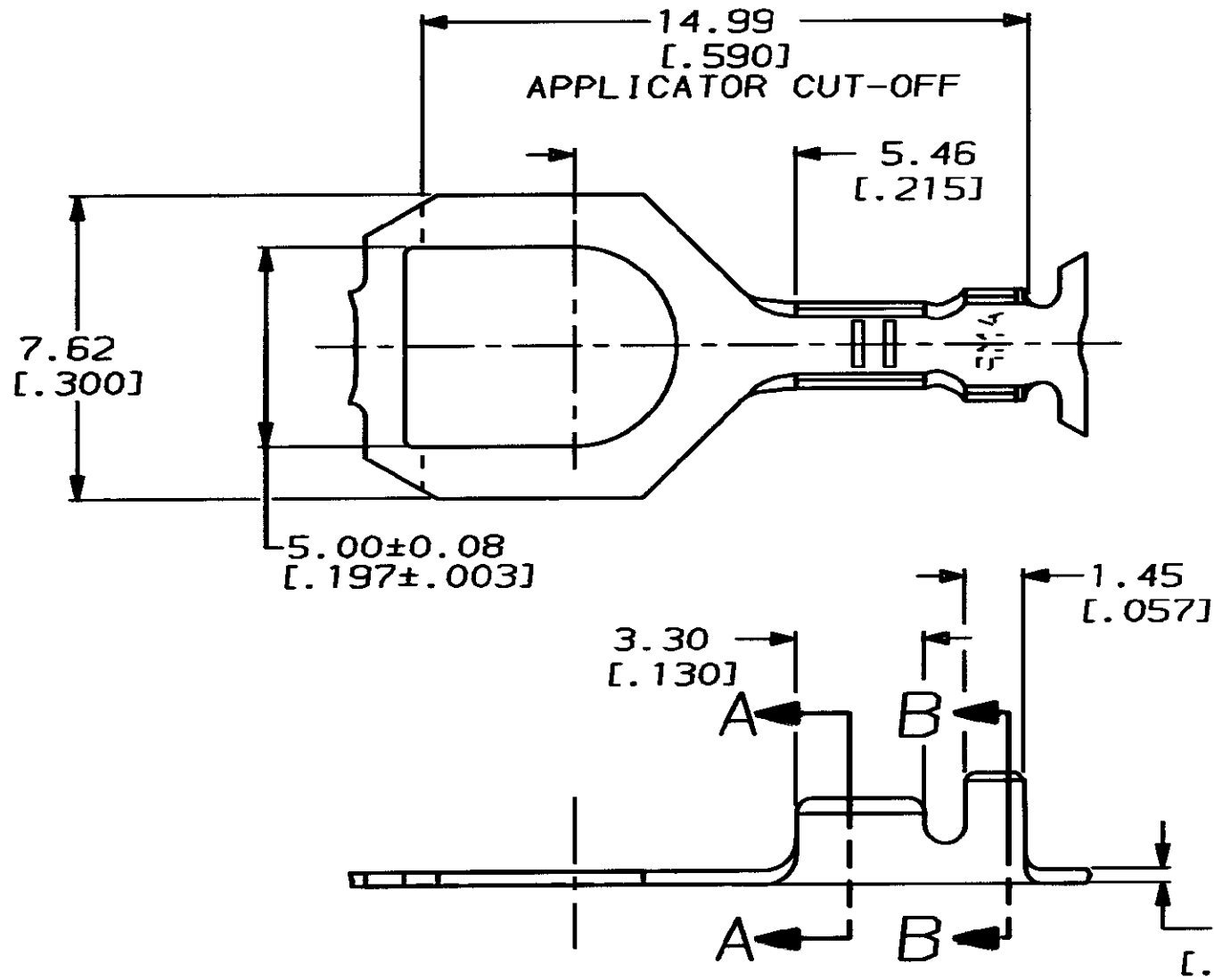


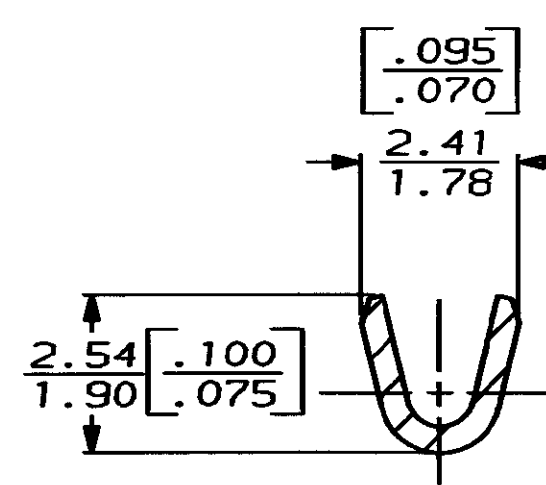
THIS DRAWING IS UNPUBLISHED. RELEASED FOR PUBLICATION, 19

© COPYRIGHT 19 BY AMP INCORPORATED. ALL INTERNATIONAL RIGHTS RESERVED.

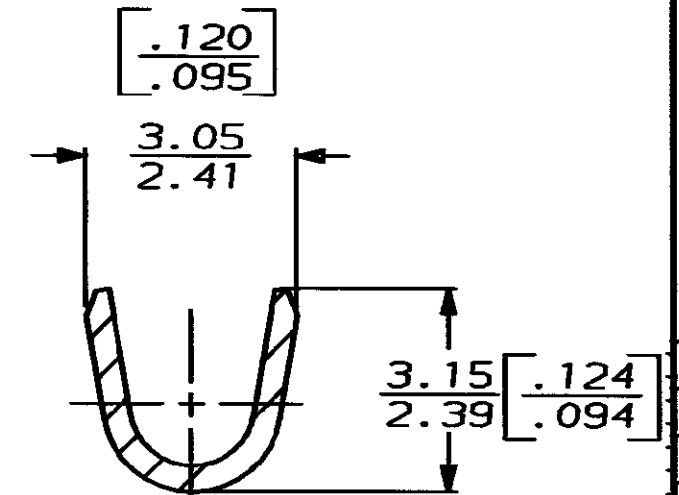
LOC	DIST	P	F	ZONE	LTR	REVISIONS	DATE	APPD
AF	50				E	DESCRIPTION		
						REDRAWN PER AF-6419	1/29/90	PF/MF



1 CONTINUOUS STRIP ON REELS



SECTION A-A
SCALE 10:1



SECTION B-B
SCALE 10:1

METRIC

1.22-1.98 [.048-.078]	0.2-0.6mm ² [24-20]	60501-1
INSULATION RANGE	WIRE RANGE	PART NO

0	2.29 [.090]	4.83 [.190]	F	1.57 [.062]	1.17 [.046]	0.5mm ² [20]
					1.09 [.043]	0.3mm ² [22]
					1.02 [.040]	0.2mm ² [24]
TYPE	WIDTH	STRIP LENGTH ±.015	TYPE	WIDTH	±.051 [.003]	HEIGHT
INSUL BARREL CRIMP			WIRE BARREL CRIMP			

DO NOT SCALE PRINT. UNLESS SPECIFIED DIMENSIONS IN (INCHES) TOLERANCES ON:
 2 PLC DEC ± -
 3 PLC DEC ± 0.38 [.015]
 ANGLES ± -
 MATERIAL 1/2 HARD BRASS
 FINISH 0.00203 [.000080] MIN TIN PL PER MIL-T-10727

DR 1/29/90
 P FORTNEY
 CHK 1/31/90
 NS FEVER
 APPD 2/2/90
 G YETTER
 APPD 2/2/90
 R KUZO
 PRODUCT SPEC -
 APPLICATION SPEC -
 WEIGHT -

AMP INCORPORATED Harrisburg, Pa. 17105		
NAME SPADE		
SIZE B	CAGE CODE 00779	DRAWING NO 60501
SCALE 6:1	SHEET 1 OF 1	